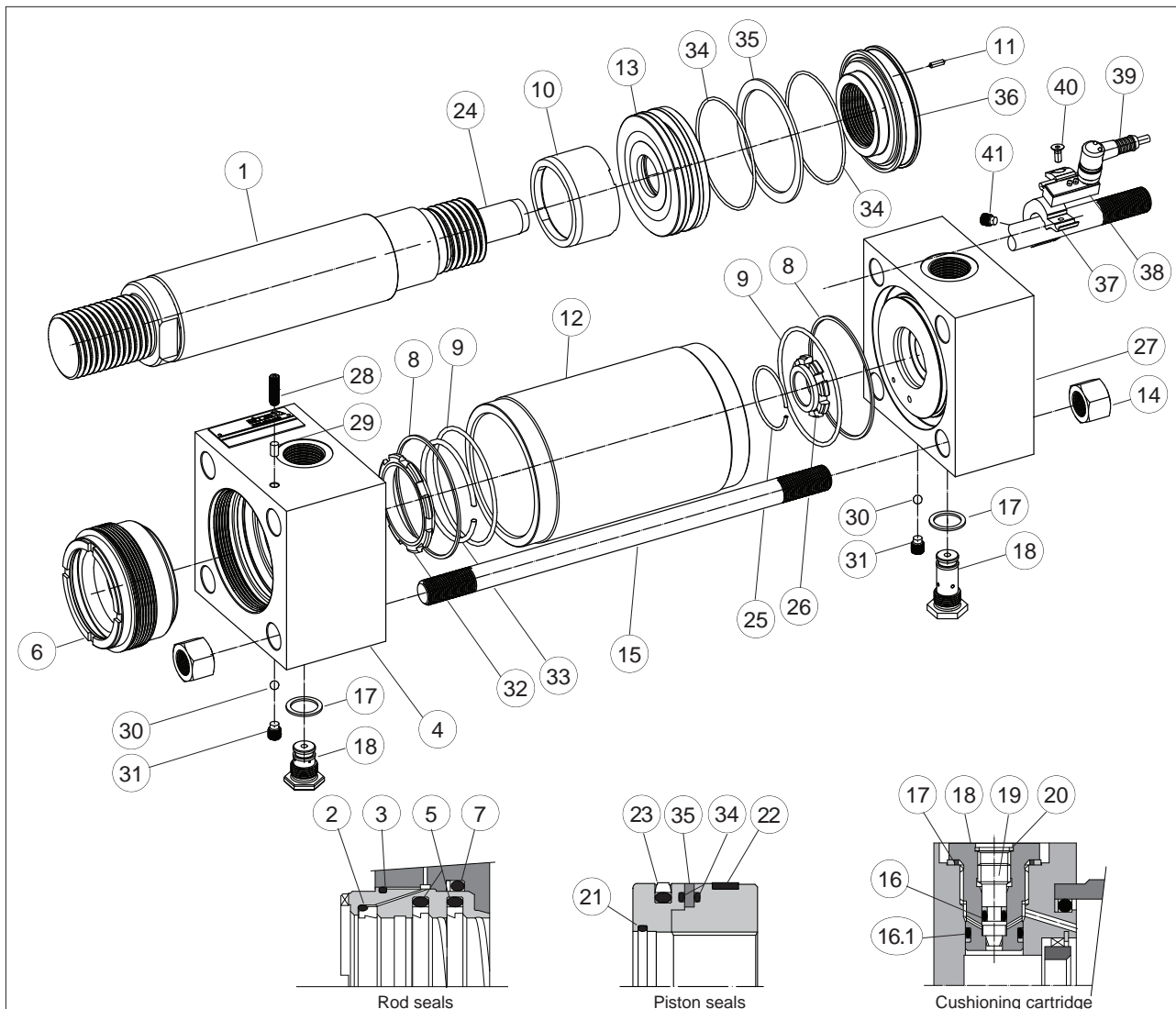


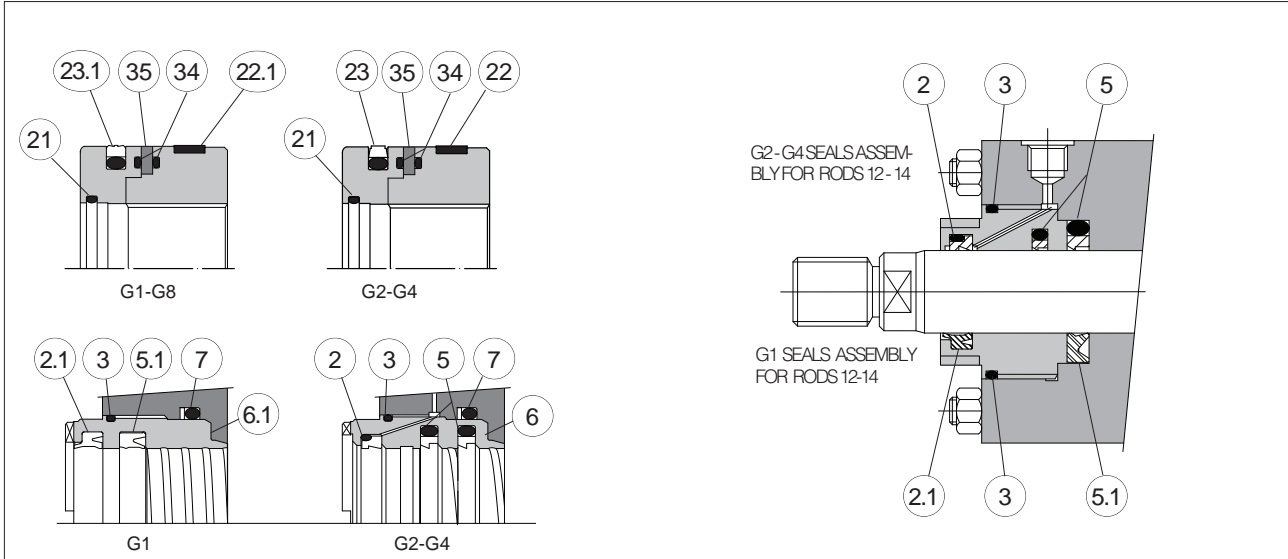
Spare parts for CKS cylinders

1 EXPLODED VIEW OF THE CYLINDER

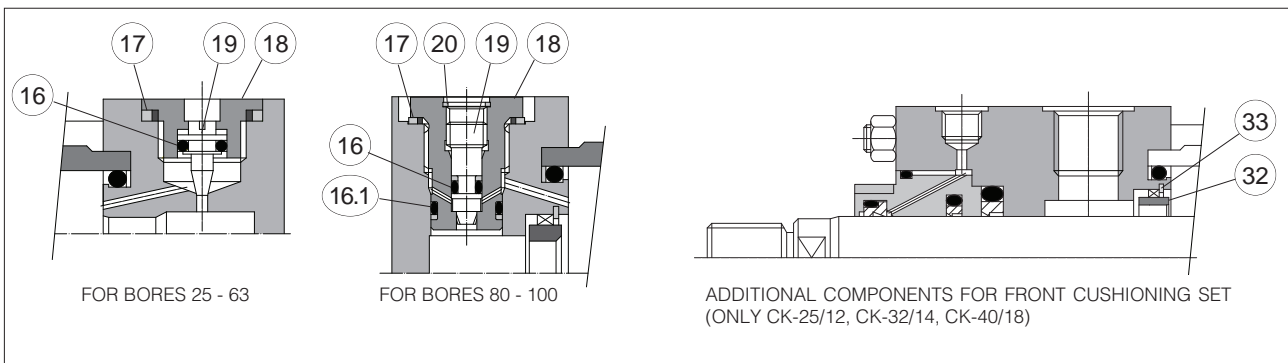


POS	DESCRIPTION	POS	DESCRIPTION
1	Rod	21	O-ring - piston
2	Wiper	22	Piston wear rings
3	O-ring + Antiextrusion ring - rod bearing	23	Piston seal
4	Front head	24	Rear cushioning piston
5	Rod seal	25	Toroidal ring - rear
6	Rod bearing - bronze	26	Cushioning sleeve - rear
7	O-Ring + Antiextrusion ring - Rod bearing	27	Rear head
8	Antiextrusion ring - cylinder housing	28	Grub screw - rod bearing locking
9	O-ring - cylinder housing	29	Teflon pad - rod bearing locking
10	Front cushioning piston	30	Steel sphere - air bleed
11	Locking pin - piston/rod	31	Grub screw - air bleed
12	Cylinder housing	32	Cushioning sleeve - front
13	Piston	33	Toroidal ring - front
14	Nut	34	O-ring - magnet
15	Tie-rod	35	Magnet
16	O-ring + Antiextrusion ring - cushioning screw	36	Piston
16.1	O-ring + Antiextrusion ring - cushioning cartridge	37	Proximity sensor clamp
17	Seal	38	Proximity sensor
18	Cushioning adjustment cartridge	39	Connector - only for versions P & Q
19	Cushioning adjustment screw	40	Screw - sensor locking
20	Seeger	41	Grub screw - clamp locking

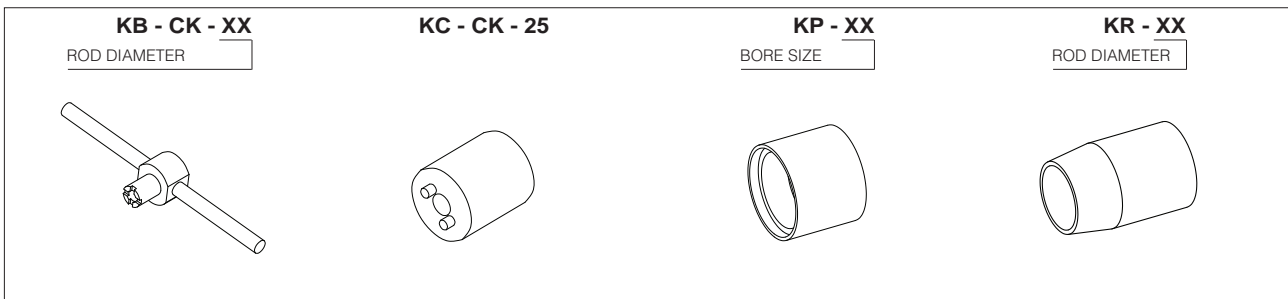
2 ROD AND PISTON SEALS



3 CUSHIONING CARTRIDGES



4 ASSEMBLING TOOLS



ASSEMBLING OPERATION	CYLINDER SIZE	TOOL	TOOL DIMENSION	TORQUE [Nm]
Rod bearing (pos. 6) assembling	Bores 25 - 100	KB - CK - XX	According to the rod diameter	see table SP-B600, section 1
Cushioning adjustment cartridge (pos.18) assembling	Bores 25 - 63	KC - CK - 25	-	6,9
	Bores 80 - 100	Hexagonal wrench	22	19,6
Nuts (pos. 14) for tie rod assembling	Bores 25 - 100	Hexagonal wrench	see table B137, section 8	see table B137, section 8
Grub screw (pos. 28) for rod bearing locking	Bore 80	Allen key	3	5
	Bore 100		4	6
Grub screw (pos. 41) for proximity sensor clamp	Bores 25 - 100	Allen key	2,5	4
Grub screw (pos. 31) for air bleed screwing	Bores 25 - 40	Allen key	2,5	4
	Bores 50 - 100		4	6
Calibration of piston seal	Bores 25 - 100	KP - XX	According to the bore size	-
Calibration of rod seals	Bores 25 - 100	KR - XX	According to the rod diameter	-

5 SPARE PARTS CODES

5.1 Seals

ORDER CODE	POS	DESCRIPTION	G1	G2-G4
<p>G1 - CKS - 50 / 22 - 20</p> <p>G1 - v < 0.5 m/s G2 - v > 1 m/s G4 - v > 1 m/s</p> <p>BORE SIZE</p> <p>ROD DIAMETER</p> <p>SERIES NUMBER (indicate only for series <30)</p>	2	Wiper - PTFE		•
	2.1	Wiper - polyurethane (ISO 6195)	•	
	3	O-ring + Antiextrusion ring - rod bearing	•	•
	5	Rod seal - PTFE (ISO 7425)		• [2]
	5.1	Rod seal - polyurethane (ISO 5597)	•	
	7	O-Ring + Antiextrusion ring - Rod bearing	•	•
	8	Antiextrusion ring - cylinder housing	• [2]	• [2]
	9	O-ring - cylinder housing	• [2]	• [2]
	11	Locking pin - piston/rod	•	•
	16	O-ring + Antiextrusion ring - cushioning screw	• [2]	• [2]
	16.1	O-ring + Antiextrusion ring - cushioning cartridge	• [2]	• [2]
	17	Seal	• [2]	• [2]
	21	O-ring - piston	•	•
	22	Piston wear rings - PTFE		• [2]
	22.1	Piston wear rings - phenolic resin	• [2]	
	23	Piston seal - PTFE (ISO 7425)		•
	23.1	Piston seal - polyurethane (ISO 7425)	•	

5.2 Rod bearings

ORDER CODE	POS	DESCRIPTION	G1	G2-G4
<p>B1 - CK - 50 / 22 - 20</p> <p>B1 - G1 B2 - G2 B4 - G4</p> <p>BORE SIZE</p> <p>ROD DIAMETER</p> <p>SERIES NUMBER (indicate only for series <30)</p>	2	Wiper - PTFE		•
	2.1	Wiper - polyurethane (ISO 6195)	•	
	3	O-ring + Antiextrusion ring - rod bearing	•	•
	5	Rod seal - PTFE (ISO 7425)		• [2]
	5.1	Rod seal - polyurethane (ISO 5597)	•	
	6	Rod bearing		•
	6.1	Rod bearing	•	

5.3 Piston rod

ORDER CODE	POS	DESCRIPTION	G1	G2-G4
<p>U - CK - 50 / 22 x 0500...</p> <p>COMPLETE CYLINDER CODE + SERIES NUMBER</p>	1	Rod	•	•
	10	Front cushioning piston (if selected)	•	•
	11	Locking pin - piston/rod	•	•
	13	Piston	•	•
	21	O-ring - piston	•	•
	22	Piston wear rings - PTFE		• [2]
	22.1	Piston wear rings - phenolic resin	• [2]	
	23	Piston seal - PTFE (ISO 7425)		•
	23.1	Piston seal - polyurethane (ISO 7425)	•	

5.4 Cushioning

ORDER CODE	POS	DESCRIPTION	Front F2 - F5	Rear F1
<p>F1 - CKS - 50 / 22 - 20</p> <p>F1 - rear cushioning F2 - front cushioning fast F5 - front cushioning slow</p> <p>BORE SIZE</p> <p>ROD DIAMETER</p> <p>SERIES NUMBER (indicate only for series <30)</p>	10	Front cushioning piston	•	
	16	O-ring + Antiextrusion ring - cushioning screw	•	•
	16.1	O-ring + Antiextrusion ring - cushioning cartridge	•	•
	17	Seal	•	•
	18	Cushioning adjustment cartridge	•	•
	19	Cushioning adjustment screw	•	•
	20	Seeger	•	•
	25	Toroidal ring - rear		•
	26	Cushioning sleeve - rear		•
	32	Cushioning sleeve - front	•	
	33	Toroidal ring - front	•	

5.5 Proximity sensors

ORDER CODE	POS	DESCRIPTION	OPTION			
			P	Q	R	S
<p>Q - CKS - 25</p> <p>P - REED with connector Q - HALL effect with connector R - REED with cable output S - HALL effect with cable output</p> <p>25 - BORE SIZE between 25 - 63 80 - BORE SIZE between 80 - 100</p>	38	Proximity sensor REED with connector	•			
	38	Proximity sensor HALL effect with connector		•		
	38	Proximity sensor REED with cable output			•	
	38	Proximity sensor HALL effect with cable output				•
	37	Proximity sensor clamp (BORES 25 - 63)	•	•	•	•
	37	Proximity sensor clamp (BORES 80 - 100)	•	•	•	•